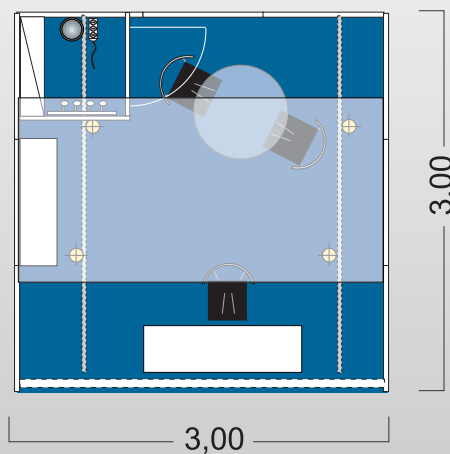
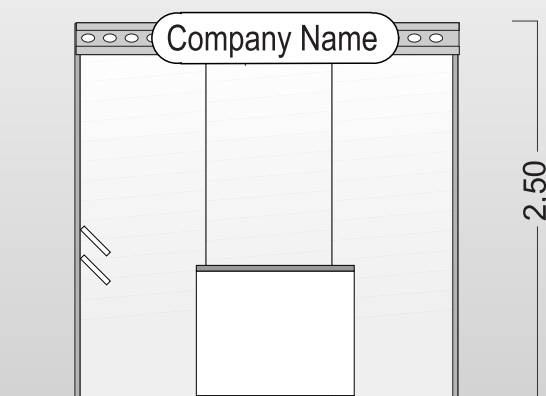




Booths 300x300 cm with 100x100 storage

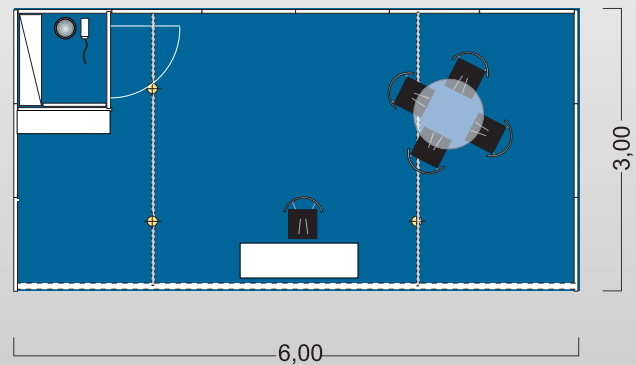
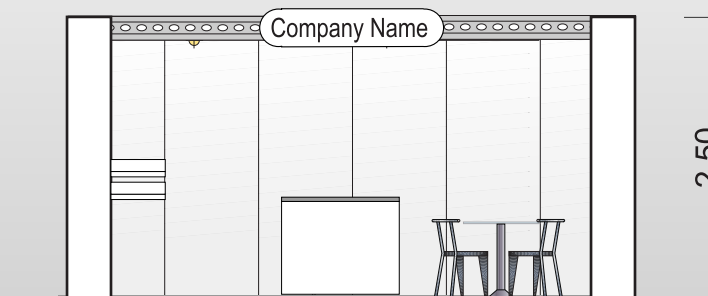


Equipment description:

- carpeting (3mm thick)
- white hydropaint finish wooden panels - 250 cm H.
- metal front header with wooden panel for Company Name
- pre-spaced company name
- 1 pc round table - mod. Astrea
- 2 pcs chairs - mod. Dr Glob
- 1 pc reception counter - mod. Sun
- 2 pcs shelves
- 1 pc bar stool - mod. Dr Glob
- 4 pcs spotlights 100W (1 every 5 mq)
- 1 pc socket 300W
- partial cloth ceiling 200 cm width



Booths 600x300 cm - variant 3 sides open with 100x100 storage

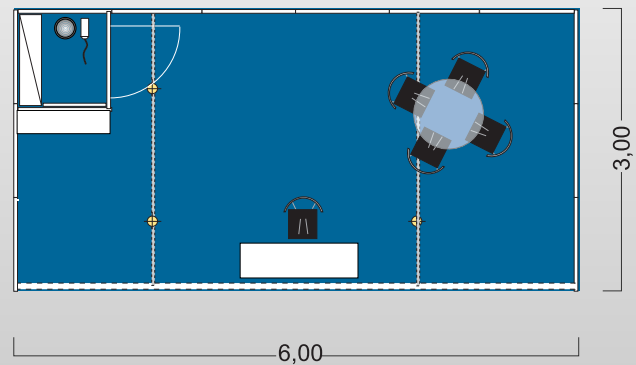
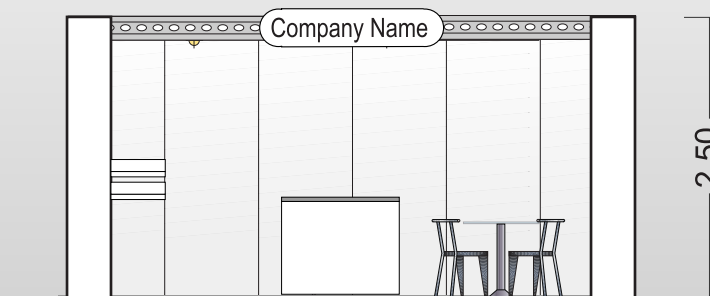


Equipment description:

- carpeting (3mm thick)
- white hydropaint finish wooden panels - 250 cm H.
- metal front header with wooden panel for Company Name
- wood panels on the sides to sustain the structure
- pre-spaced company name
- 1 pc round table - mod. Astrea
- 4 pcs chairs - mod. Dr Glob
- 1 pc reception counter - mod. Sun
- 2 pcs shelves
- 1 pc bar stool - mod. Dr Glob
- 4 pcs spotlights 100W (1 every 5 mq)
- 1 pc socket 300W
- 1 pc coat-hanger
- 1 pc wastepaper basket
- storage rack



Booths 600x300 cm - variant 3 sides open with 100x100 storage



Equipment description:

- carpeting (3mm thick)
- white hydropaint finish wooden panels - 250 cm H.
- metal front header with wooden panel for Company Name
- wood panels on the sides to sustain the structure
- pre-spaced company name
- 1 pc round table - mod. Astrea
- 4 pcs chairs - mod. Dr Glob
- 1 pc reception counter - mod. Sun
- 2 pcs shelves
- 1 pc bar stool - mod. Dr Glob
- 4 pcs spotlights 100W (1 every 5 mq)
- 1 pc socket 300W
- 1 pc coat-hanger
- 1 pc wastepaper basket
- storage rack